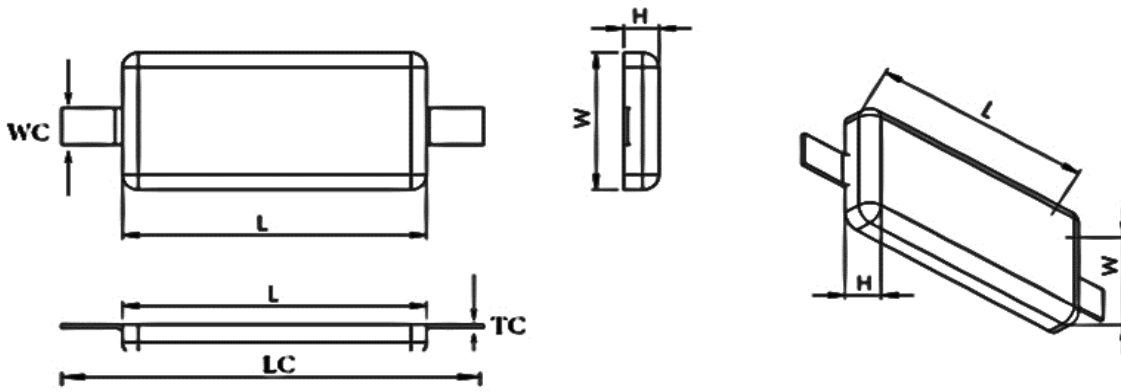





1	2	3															
																	
		<p>www.bornagodaz.com Tel: 02156233929-30 info@bornagodaz.com Fax: 02156230236</p> <p>Head Office: No. 2 , Golbarg 2 , Narenjestan Blvd , Shamsabad Industrial City , Qom Old Road , Tehran, Iran</p>															
		TITLE: SACRIFICIAL ZINC ANODE (10 KG Gross Wt.)															
		<table border="1" style="width:100%; border-collapse: collapse;"> <tr> <td style="width:50%;">DWG CODE: BAZS5L320W160H35G10000</td> <td style="width:50%;">DOC NO.: 4-DR-22</td> </tr> </table>	DWG CODE: BAZS5L320W160H35G10000	DOC NO.: 4-DR-22													
DWG CODE: BAZS5L320W160H35G10000	DOC NO.: 4-DR-22																
Specifications & Properties		Approved by BORNA GODAZ Co.															
Anode Dimension (mm)	L=320 ; W=160 ; H=35	Name & Signature:  															
Insert Dimension (mm)	LC=500 ; WC=40 ; TC=4																
Wt. (Kg): (Approx.)	Gross=10																
NOTE: - All data specifications are prepared according to relevant standards and regulations.		Client's Approval															
Electrochemical Properties of Zinc Anodes		Name & Signature:															
Acc. To DNV-RP-B401																	
Closed circuit potential (V)	-1.00																
Electrochemical capacity (Ah/kg) <small>(Ref. to Ag/AgCl)</small>	780.0																
Efficiency (%)	95																
Chemical Composition of Zinc Anodes		<table border="1" style="width:100%; border-collapse: collapse;"> <tr> <td style="width:33%;"></td> <td style="width:33%; text-align: center;">NAME</td> <td style="width:33%; text-align: center;">DATE</td> </tr> <tr> <td>Design & Draw:</td> <td style="text-align: center;">H.SOHRABI</td> <td style="text-align: center;">11 OCT 2015</td> </tr> <tr> <td>Checked:</td> <td style="text-align: center;">A.AKHLAGHI</td> <td style="text-align: center;">11 OCT 2015</td> </tr> <tr> <td>Approved:</td> <td style="text-align: center;">M.NASRI</td> <td style="text-align: center;">11 OCT 2015</td> </tr> <tr> <td>SCALE:</td> <td style="text-align: center;">A4</td> <td style="text-align: center;">SHEET 1 OF 1</td> </tr> </table>		NAME	DATE	Design & Draw:	H.SOHRABI	11 OCT 2015	Checked:	A.AKHLAGHI	11 OCT 2015	Approved:	M.NASRI	11 OCT 2015	SCALE:	A4	SHEET 1 OF 1
	NAME		DATE														
Design & Draw:	H.SOHRABI		11 OCT 2015														
Checked:	A.AKHLAGHI		11 OCT 2015														
Approved:	M.NASRI		11 OCT 2015														
SCALE:	A4		SHEET 1 OF 1														
Acc. To DNV-RP-B401																	
Al	0.1-0.5%																
Cd	≤0.07%																
Fe	≤0.005%																
Cu	≤0.005%																
Pb	≤0.006%																
Zn	Remainder																